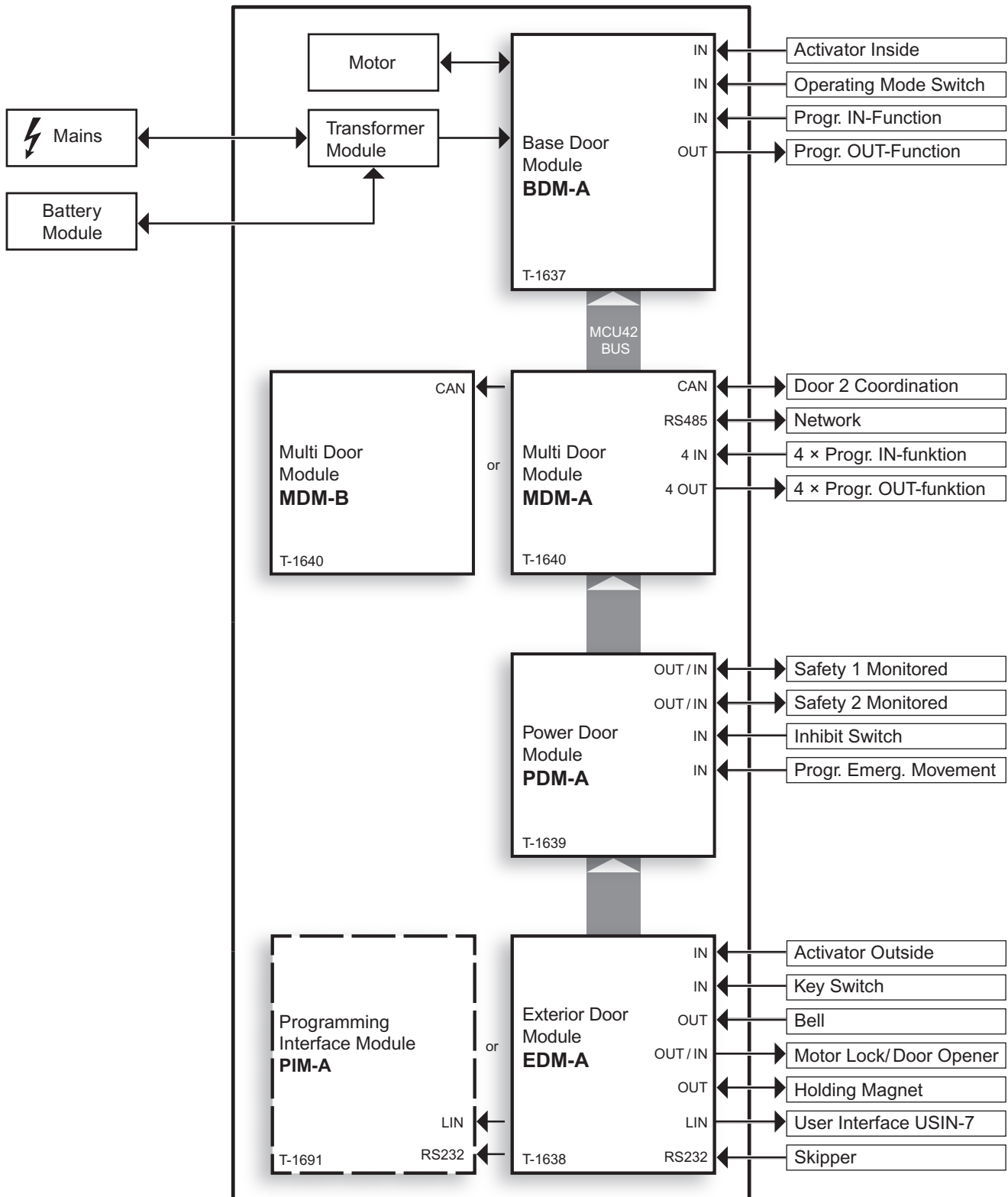


|                     |                                     |  |
|---------------------|-------------------------------------|--|
| <b>T-1839 e</b>     | <b>Components Overview</b>          | <p style="text-align: center;">★★★★★<br/><b>TORMAX</b><br/>AUTOMATIC</p> <p>TORMAX   CH-8180 Bülach<br/>www.tormax.com<br/>info@tormax.com</p> |
| Area of application | <b>TORMAX 1201</b> Swing Door Drive |  |
| Release             | 17 November 2020                    |  |
| Use                 | Planning                            |  |

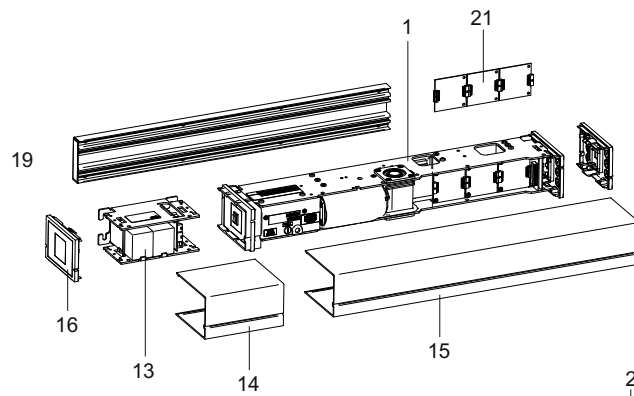
## Module Connections

EDM, PDM and MDM (each maximum 1 pc). are optional modules and may be arranged in any order. If the module EDM-A is not present, the programming interface module PIM-A is used temporarily for programming with Skipper or the user interface USIN-7.

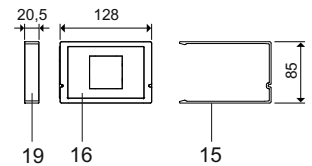
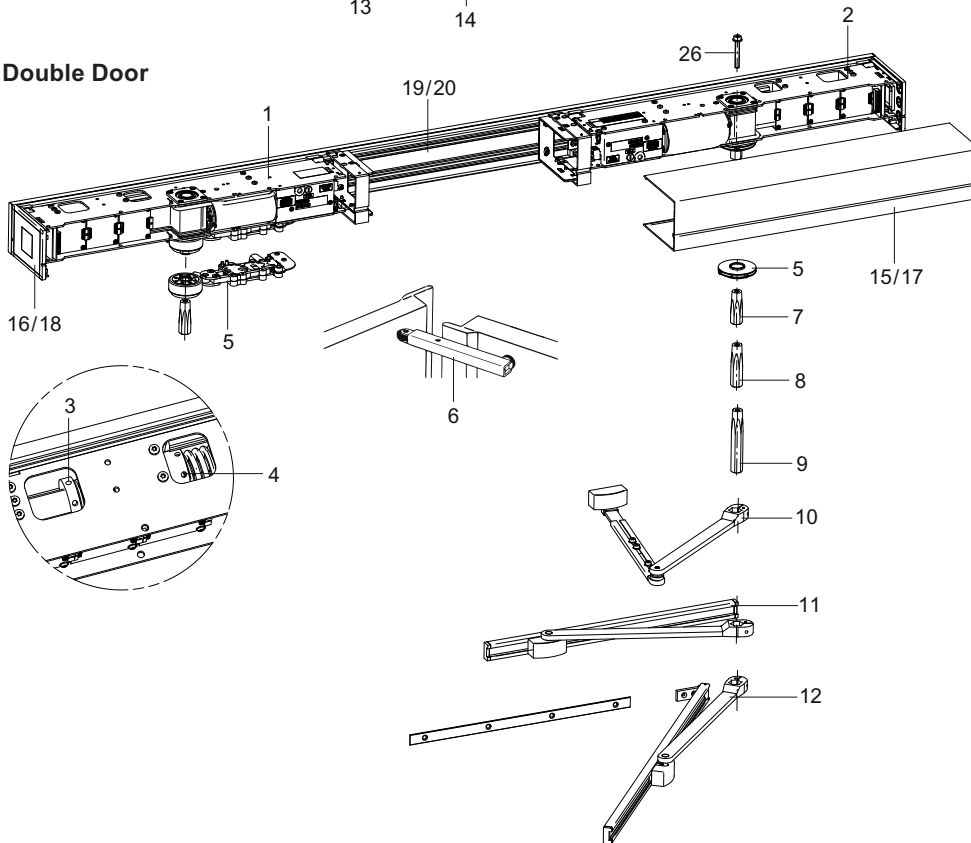


# Components Overview

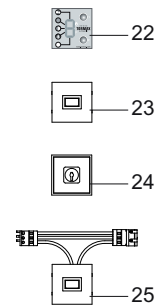
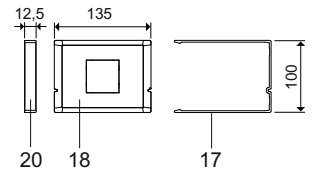
## Single Door



## Double Door



With mechanical door coordinator MDC



- |   |                                   |
|---|-----------------------------------|
| 1 Primary drive   | 14 Battery unit casing 85 mm      |
| 2 Secondary drive   | 15 Drive casing 85 mm             |
| 3 Adjustment of spring force  | 16 Side plate 85 × 128 mm         |
| 4 Adjustment of internal open end stop  | 17 Drive casing 100 mm            |
| 5 Mechanical door coordinator MDC (different for primary and secondary drive) | 18 Side plate 100 × 135 mm        |
| 6 Pushing flap for MDC  | 19 Mounting profile 85 × 20,5 mm  |
| 7 Shaft 63 mm   | 20 Mounting profile 100 × 12,5 mm |
| 8 Shaft 82 mm   | 21 Upgrade modules MDM, PDM, EDM  |
| 9 Shaft 123 mm  | 22 User interface USIN-7-A        |
| 10 Standard linkage 290/350 mm  | 23 Operating mode switch USIN-3-A |
| 11 Sliding lever pull type 350/500 mm   | 24 Lock for user interface        |
| 12 Sliding lever pull type 350 mm, panic device                               | 25 On/Off-switch MSW-A            |
| 13 Battery unit   | 26 Drive shaft screw              |

T1839\_2e